

**NOTE:** It would be useful to ask someone to help you at this stage.

## STEP 1

Position your product in the area of its intended use and connect together using the sectional connectors.see Fig. 1

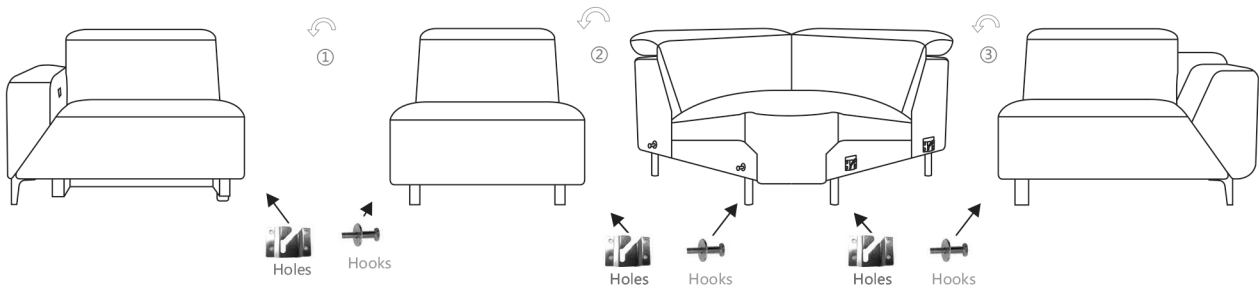


Fig.1

## STEP 2

Attach the power cord found at the bottom rear of the armless dual power recliner to the matching plug found at the bottom rear of the LAF/RAF dual power recliner as seen above . Make sure to close the clip lock to prevent the connection from coming loose.see Fig. 3

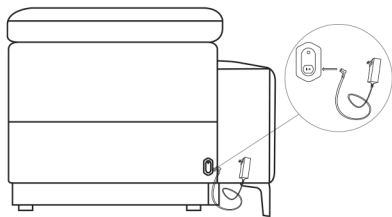
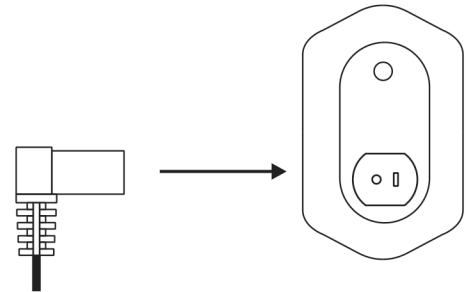


Fig.2

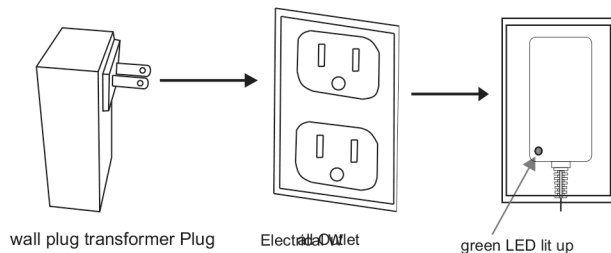
## STEP 3

Connect the matching end of the power supply to the power switch located at the bottom rear of the arm



## STEP 4

Connecting your power source: To prevent damage or injury, make sure to only plug the power supply into a grounded outlet. A green light should illuminate when your power source has power



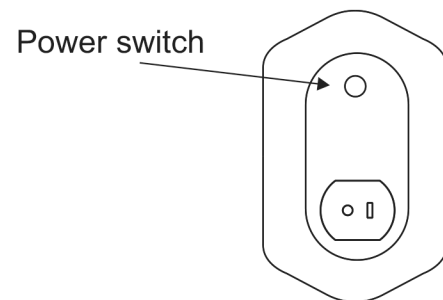
wall plug transformer Plug

Electrical Outlet

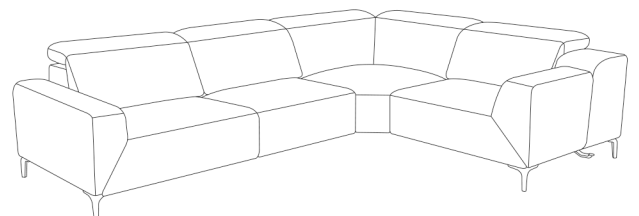
green LED lit up

## STEP 5

After all connections have been made , ensure that transformer power switch is switched to the "on" position.



After assembly is complete,you product should look simliar as seen below.



## Care & Maintenance

### Safety

To avoid any risk of suffocation to animals or children dispose of the plastic bags immediately.

### Cleaning

As with all surfaces clean with a damp cloth and mild detergent,do not use bleach or abrasive products.