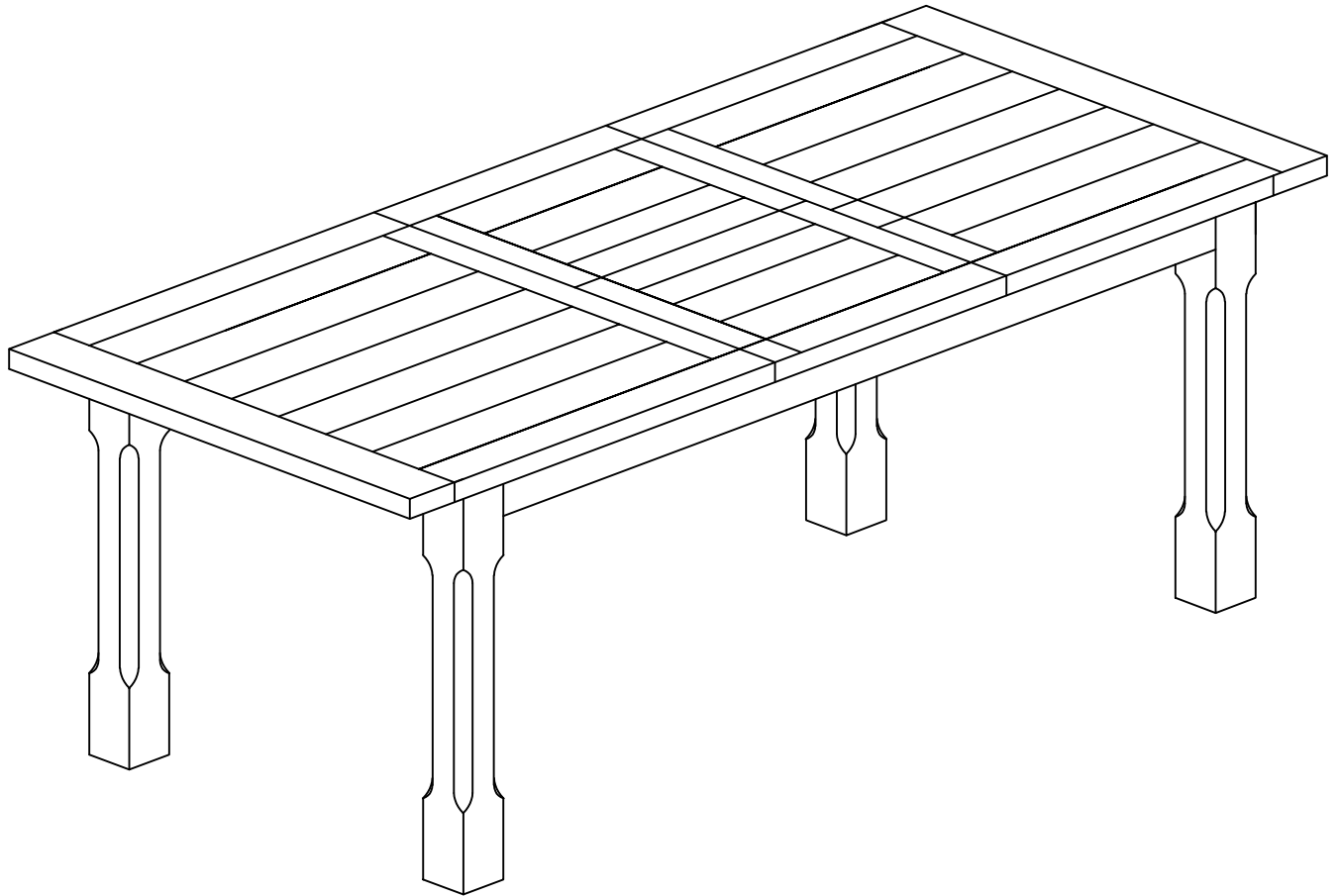



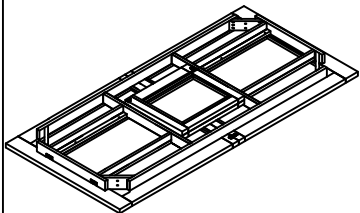
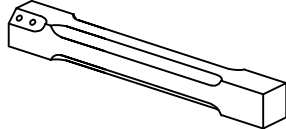


Thank you for purchasing this quality product. Be sure to check all packing material carefully for small parts that may have come loose inside the carton during shipment.



HARDWARE LIST			
NO	DESCRIPTION		QTY
A		BOLT M10 X 80	8
B		WASHER M10 X 26	8
C		17mm HEX WRENCH	1
D		SPRING WASHER M10	8

PARTS LIST			
NO	DESCRIPTION		QTY
1		TABLE TOP	1
2		LEG	4

Thank you for purchasing this quality product. Be sure to check all packing material carefully for small parts that may have come loose inside the carton during shipment.

STEP 1

Assemble part (1)& (2)



A:8



B:8



C:1



D:8

