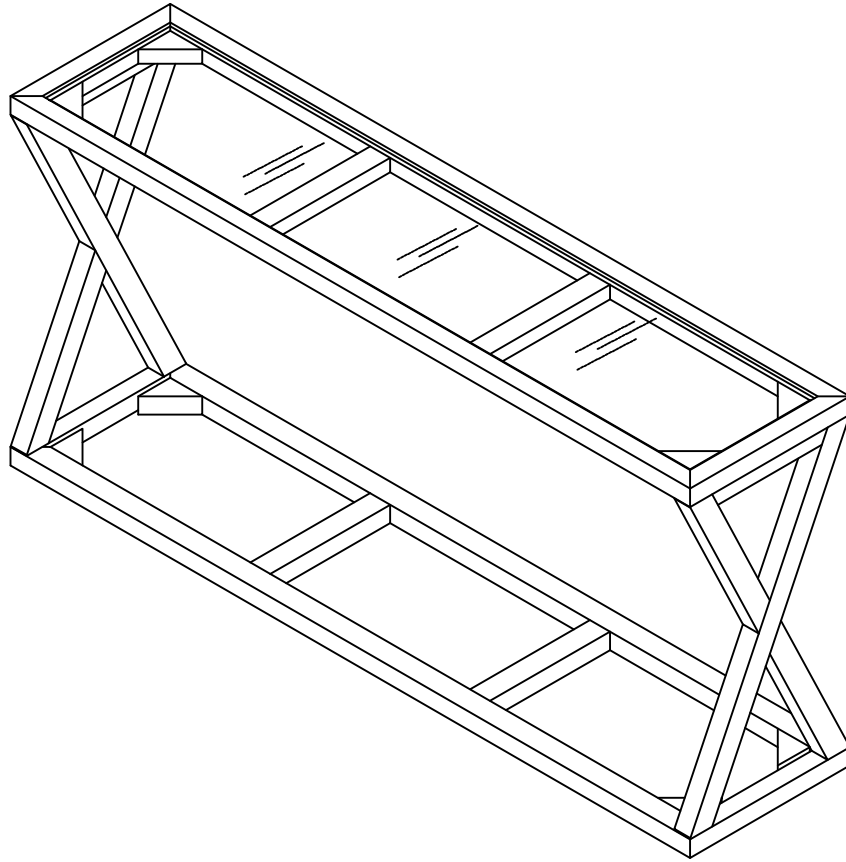



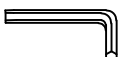


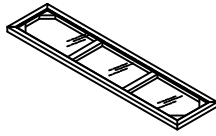

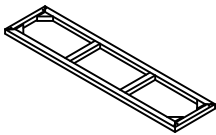
Thank you for purchasing this quality product. Be sure to check all packing material carefully for small parts that may have come loose inside the carton during shipment.



HARDWARE LIST

NO	DESCRIPTION		QTY
A		BOLT M8x50	8
B		SPRING WASHER M8	8
C		WASHER M8	8
D		ALLEN KEY M4	1

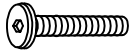
PARTS LIST

NO	DESCRIPTION		QTY
1		TABLE TOP	1
2		LEGS	2
3		BOTTOM FRAME	1

Thank you for purchasing this quality product. Be sure to check all packing material carefully for small parts that may have come loose inside the carton during shipment.

STEP 1

Assemble part (1), (2) & (3)



A:4



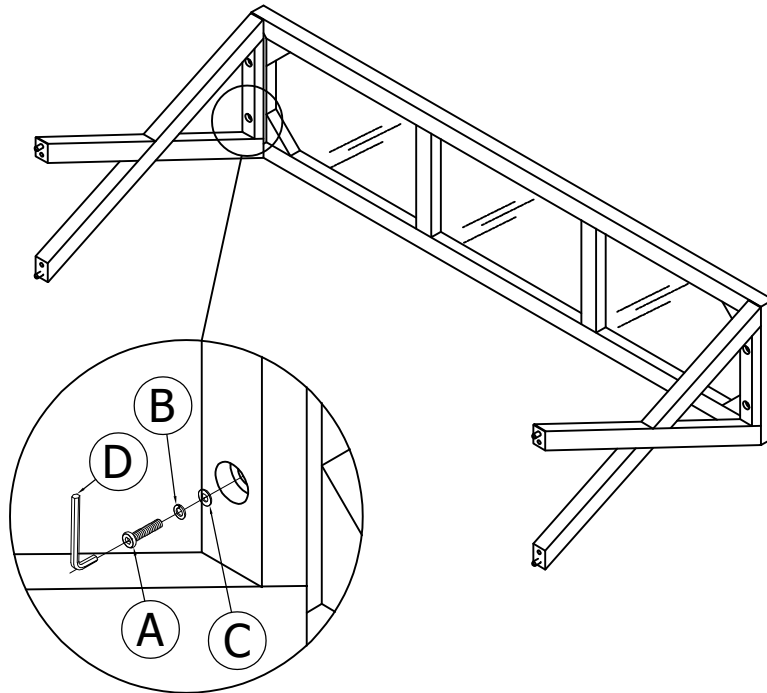
B:4



C:4



D:1



STEP 2

Assemble part (1), (2) & (3)



A:4



B:4



C:4



D:1

