

Thank you for purchasing this quality product. Be sure to check all packing material carefully for small parts that may have come loose inside the carton during shipment.

**STEP 1**

Assemble part (1) & (2)



A:8



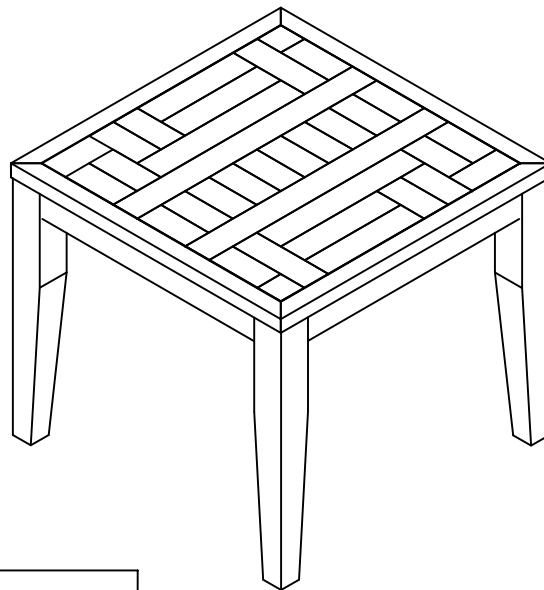
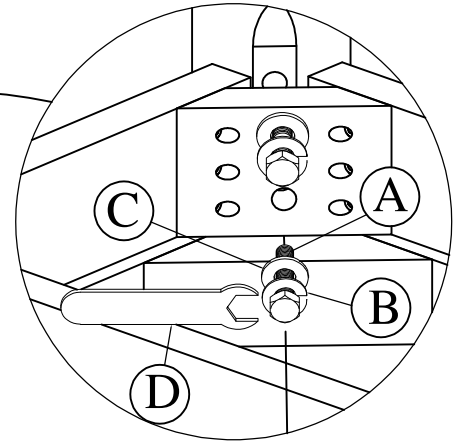
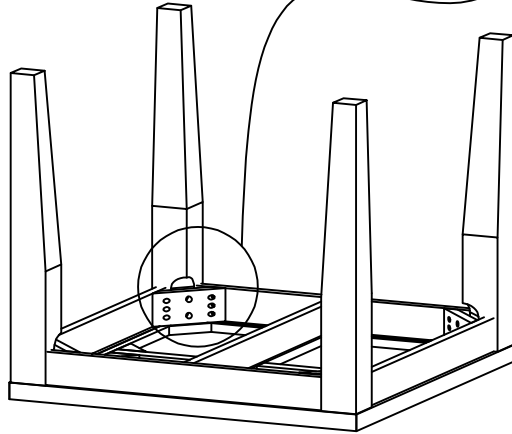
B:8



C:8



D:1



HARDWARE LIST			
NO		DESCRIPTION	QTY
A		BOLT M10 X 80	8
B		SPRING WASHER M10	8
C		WASHER M10	8
D		17mm HEX WRENCH	1

PARTS LIST			
NO		DESCRIPTION	QTY
1		TABLE TOP	1
2		LEGS	4