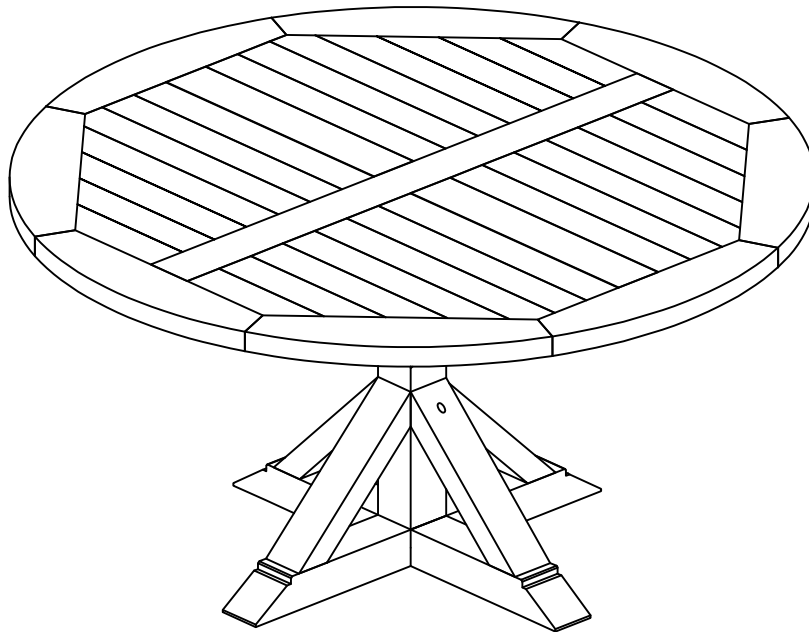
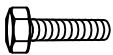



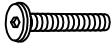
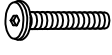




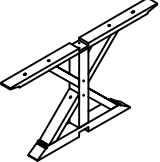
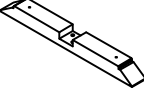
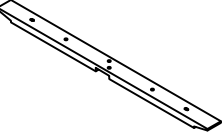

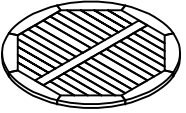
Thank you for purchasing this quality product. Be sure to check all packing material carefully for small parts that may have come loose inside the carton during shipment.



HARDWARE LIST

NO	DESCRIPTION		QTY
A		BOLT M10 x 60	4
B		SPRING WASHER M10	4
C		WASHER M10	4
D		BOLT M8 x 40	6
E		BOLT M8 x 80	4
F		BOLT M8 x 60	2
G		17mm HEX WRENCH	1
H		ALLEN KEY	1

PARTS LIST

NO	DESCRIPTION		QTY
1		LEG	1
2		BOTTOM RAIL	1
3		TOP RAIL	1
4		STRETCHER RAIL	4
5		TOP PANEL	1

Thank you for purchasing this quality product. Be sure to check all packing material carefully for small parts that may have come loose inside the carton during shipment.

STEP 1

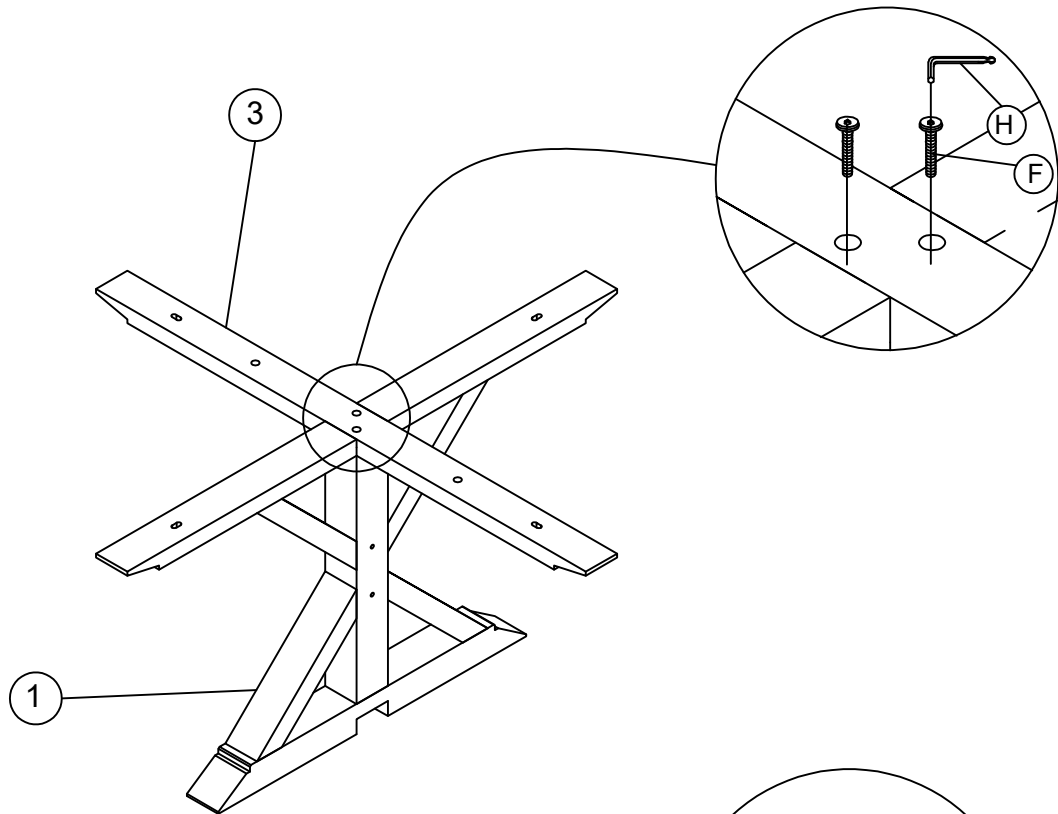
Assemble part (1) & (3)



F:2



H:1



STEP 2

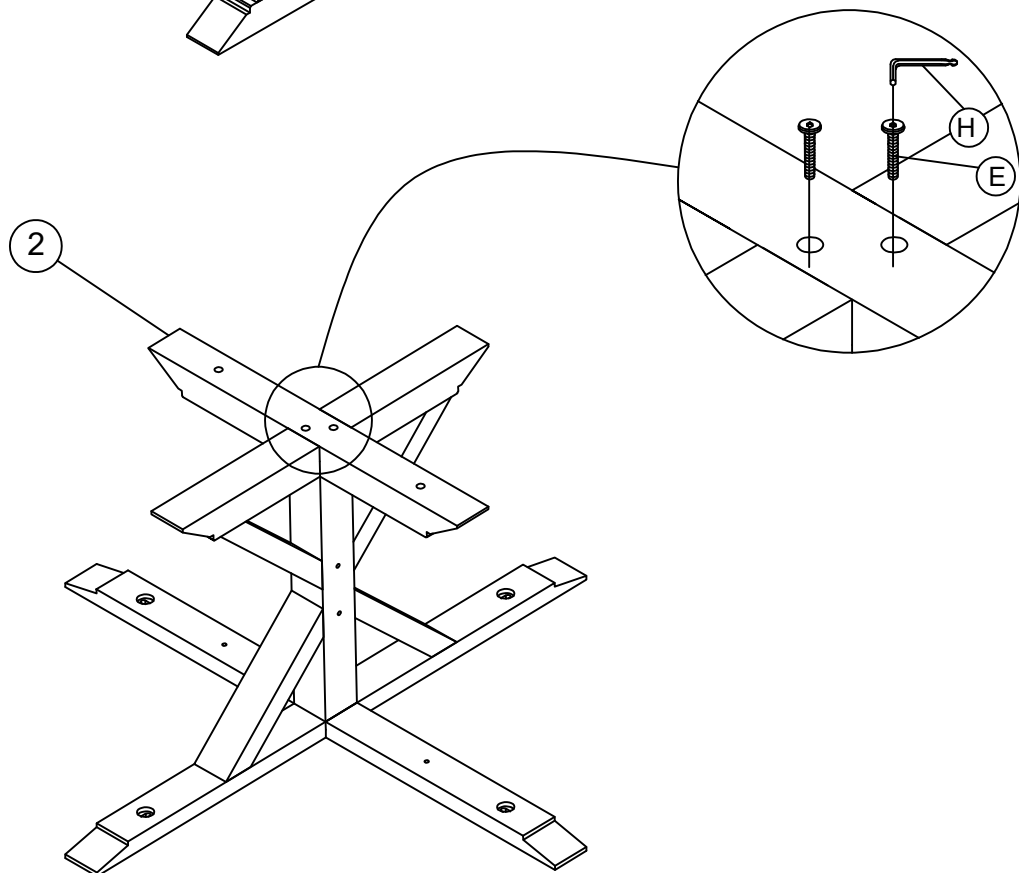
Assemble part (2)



E:2



H:1



Thank you for purchasing this quality product. Be sure to check all packing material carefully for small parts that may have come loose inside the carton during shipment.

STEP 3

Assemble part (4)



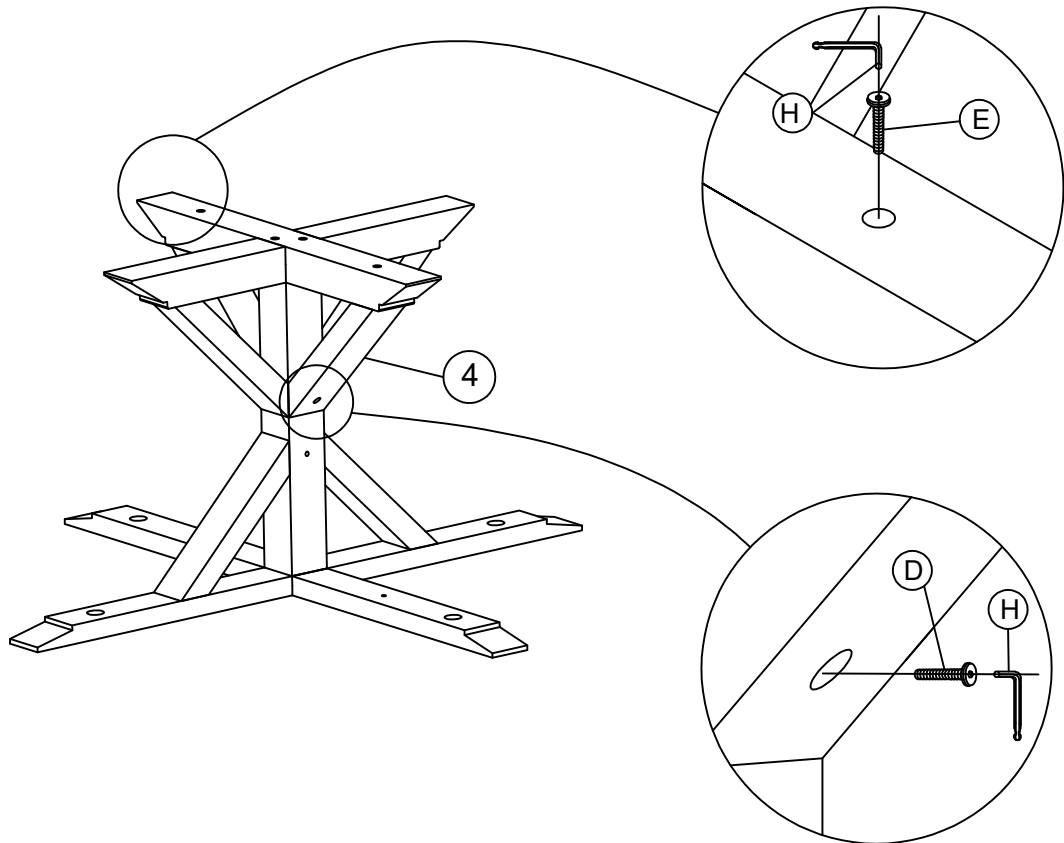
D:2



E:2



H:1

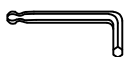


STEP 4

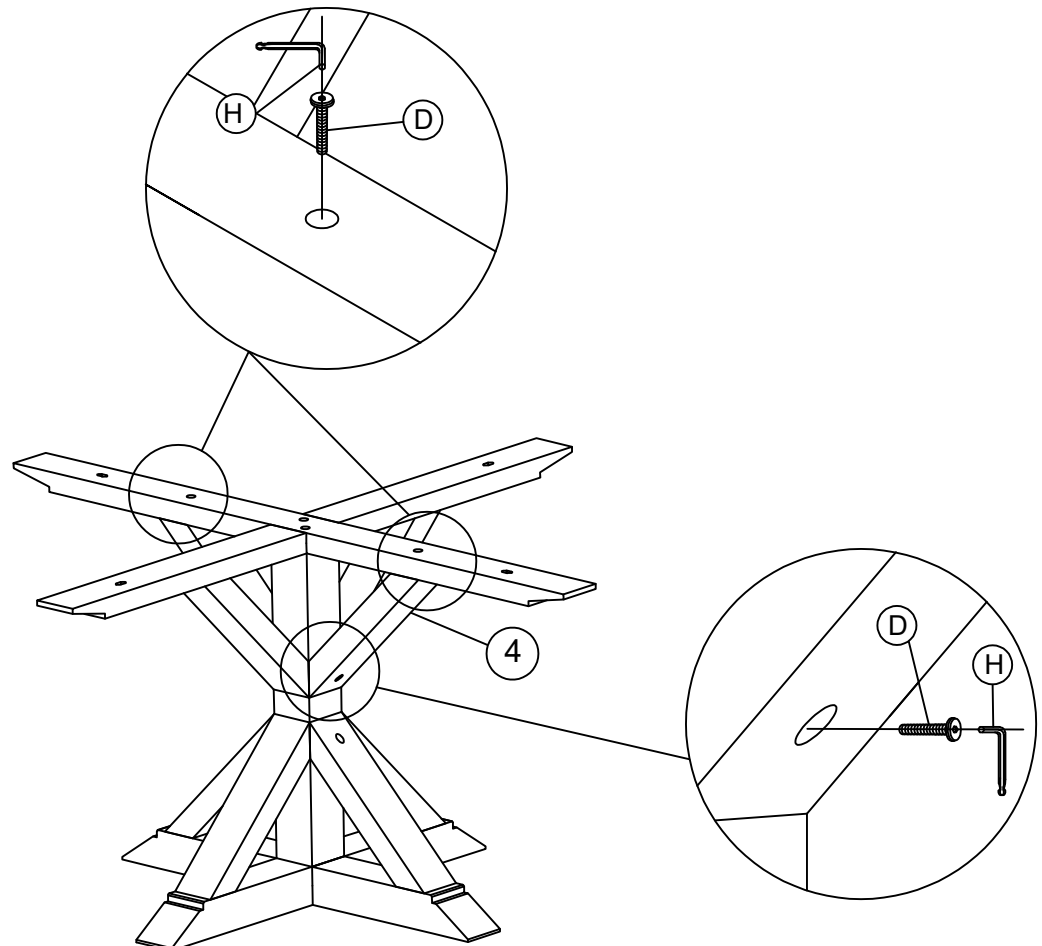
Assemble part (4)



D:4



H:1



Thank you for purchasing this quality product. Be sure to check all packing material carefully for small parts that may have come loose inside the carton during shipment.

STEP 5

Assemble part (1)



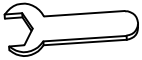
A:4



B:4



C:4



G:1

