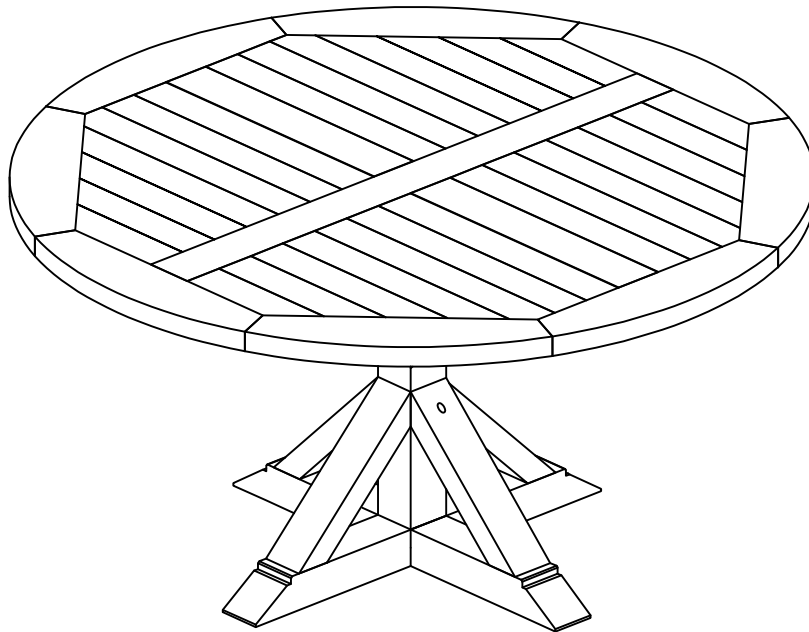
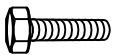



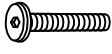
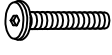




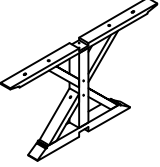
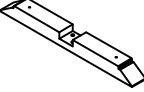
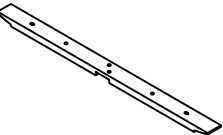

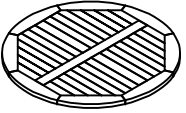
Thank you for purchasing this quality product. Be sure to check all packing material carefully for small parts that may have come loose inside the carton during shipment.



### HARDWARE LIST

NO	DESCRIPTION		QTY
A		BOLT M10 x 60	4
B		SPRING WASHER M10	4
C		WASHER M10	4
D		BOLT M8 x 40	6
E		BOLT M8 x 80	4
F		BOLT M8 x 60	2
G		17mm HEX WRENCH	1
H		ALLEN KEY	1

### PARTS LIST

NO	DESCRIPTION		QTY
1		LEG	1
2		BOTTOM RAIL	1
3		TOP RAIL	1
4		STRETCHER RAIL	4
5		TOP PANEL	1

Thank you for purchasing this quality product. Be sure to check all packing material carefully for small parts that may have come loose inside the carton during shipment.

### STEP 1

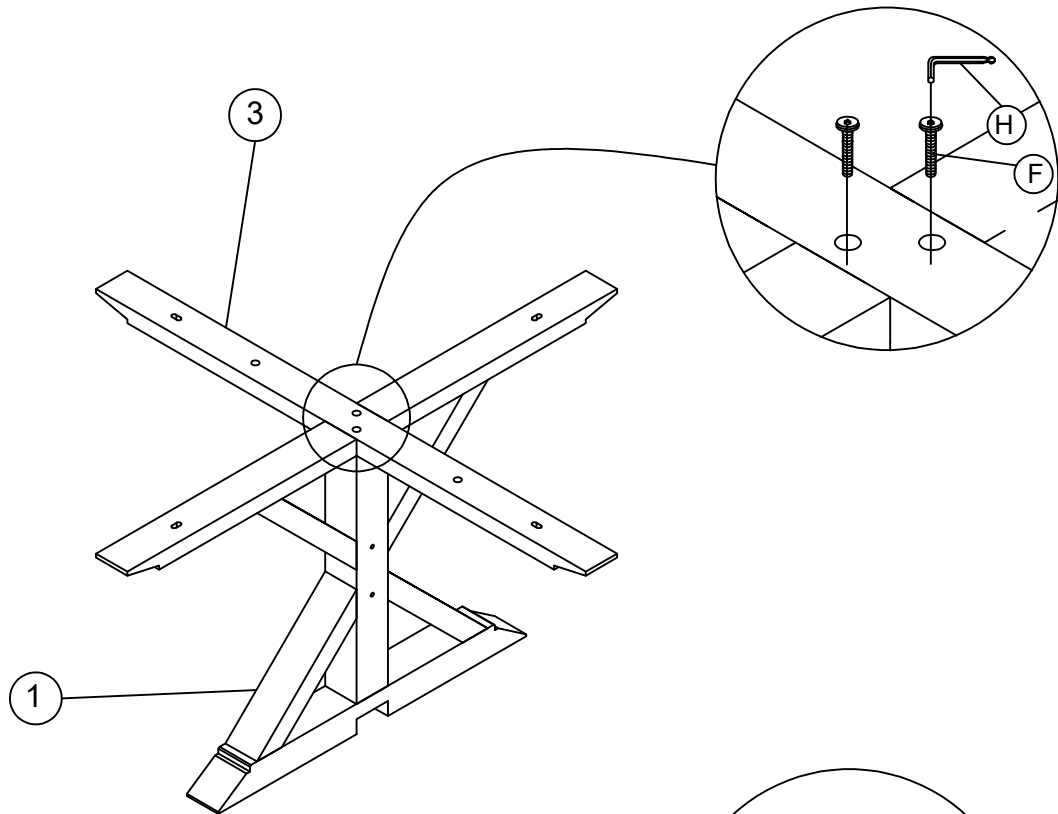
Assemble part (1) & (3)



F:2



H:1



### STEP 2

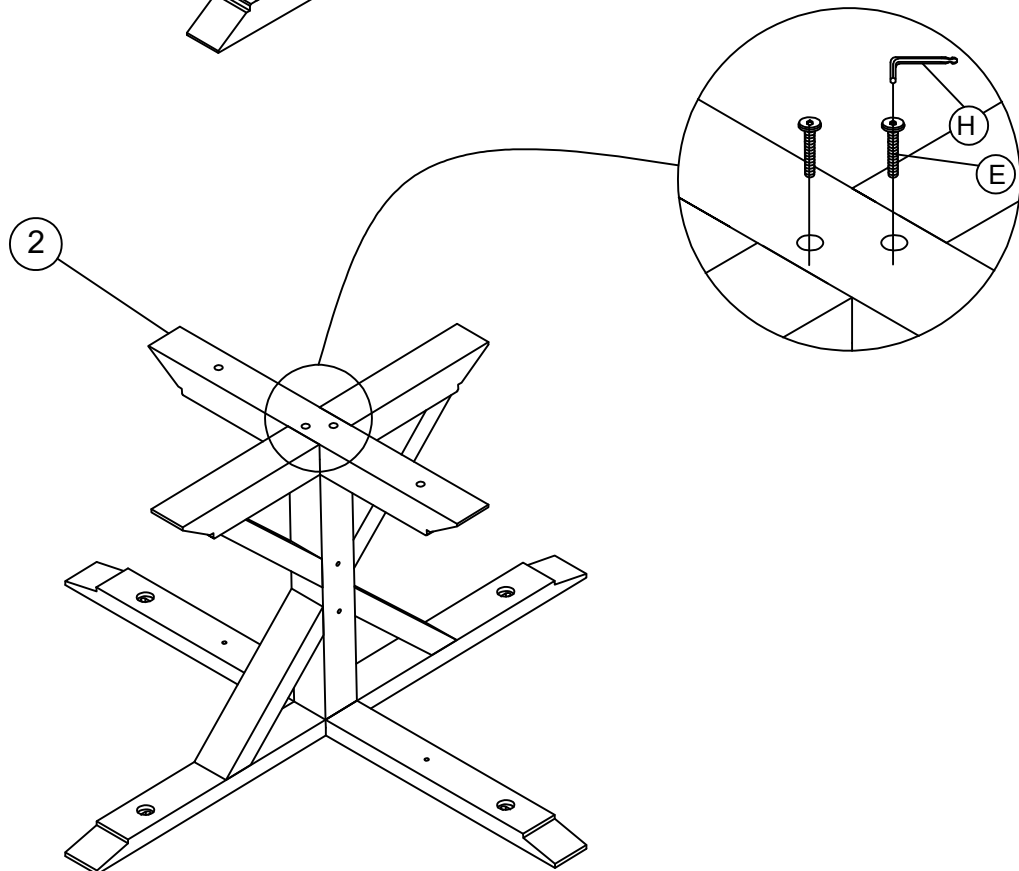
Assemble part (2)



E:2



H:1



Thank you for purchasing this quality product. Be sure to check all packing material carefully for small parts that may have come loose inside the carton during shipment.

### STEP 3

Assemble part (4)



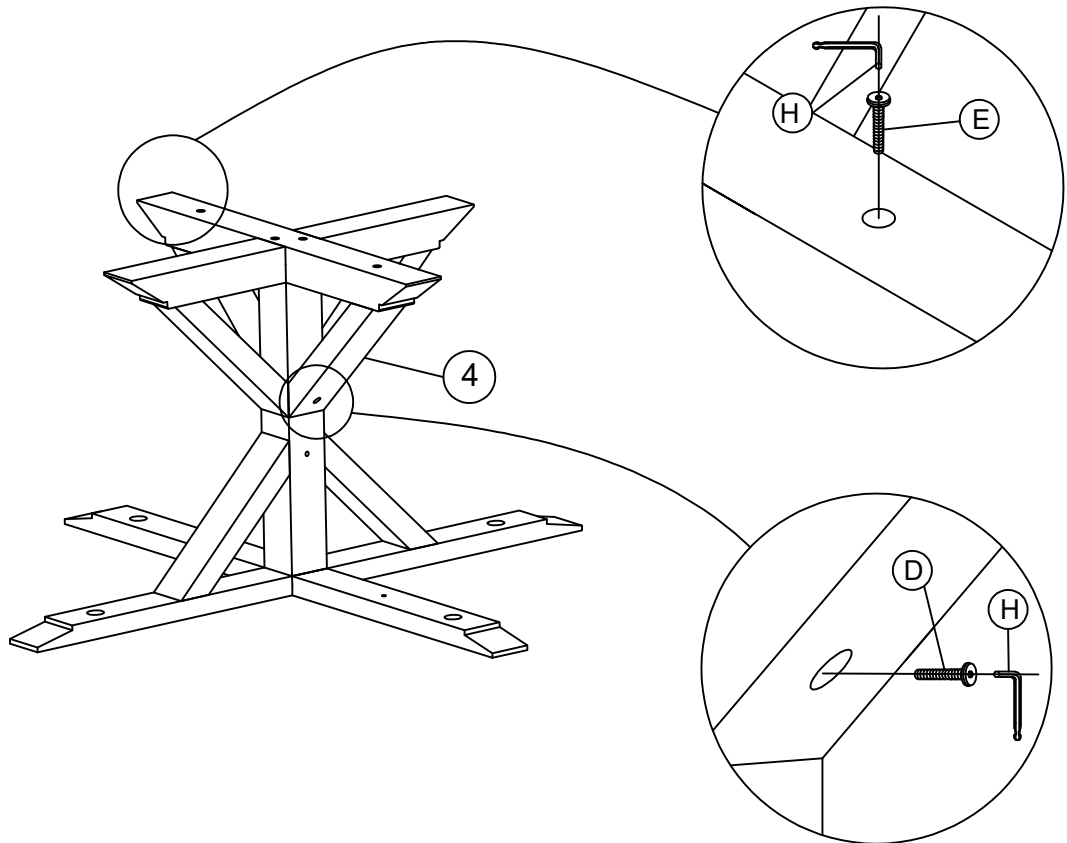
D:2



E:2



H:1

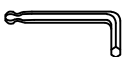


### STEP 4

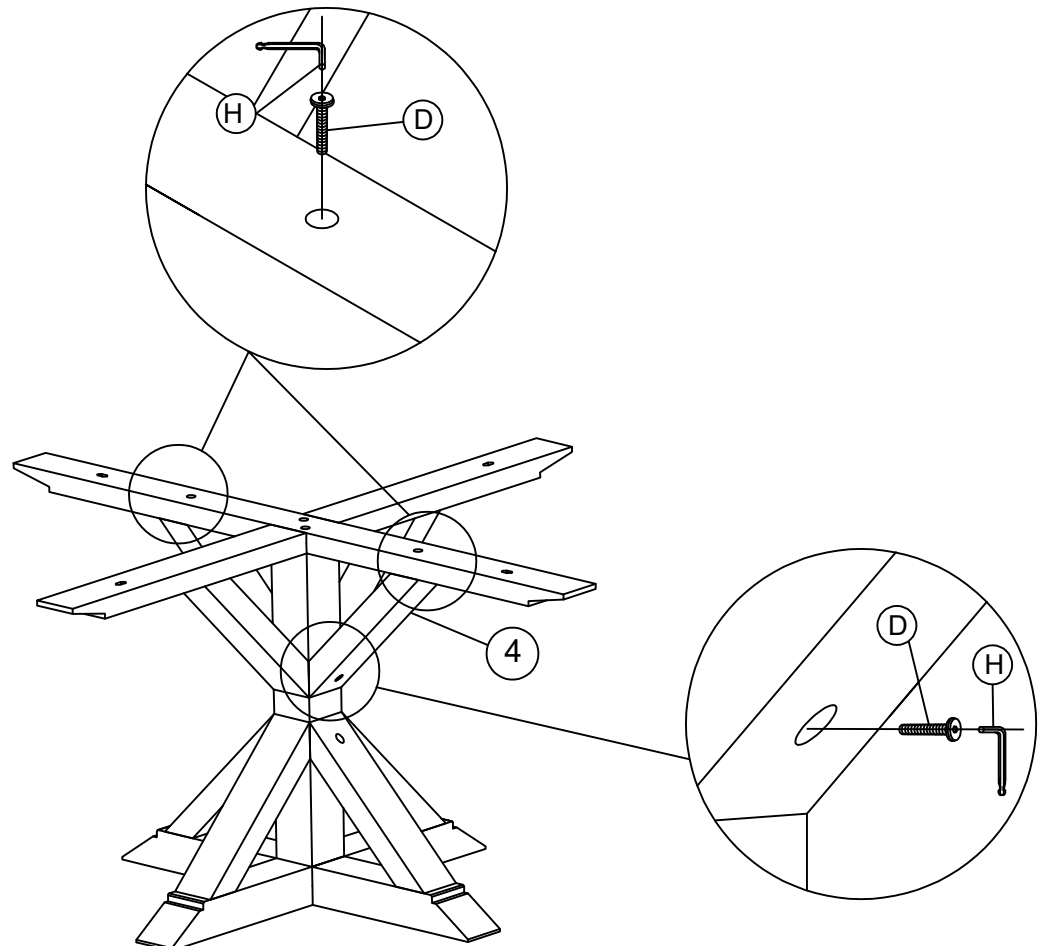
Assemble part (4)



D:4



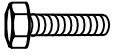
H:1



Thank you for purchasing this quality product. Be sure to check all packing material carefully for small parts that may have come loose inside the carton during shipment.

***STEP 5***

Assemble part (1)



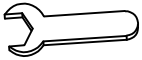
A:4



B:4



C:4



G:1

