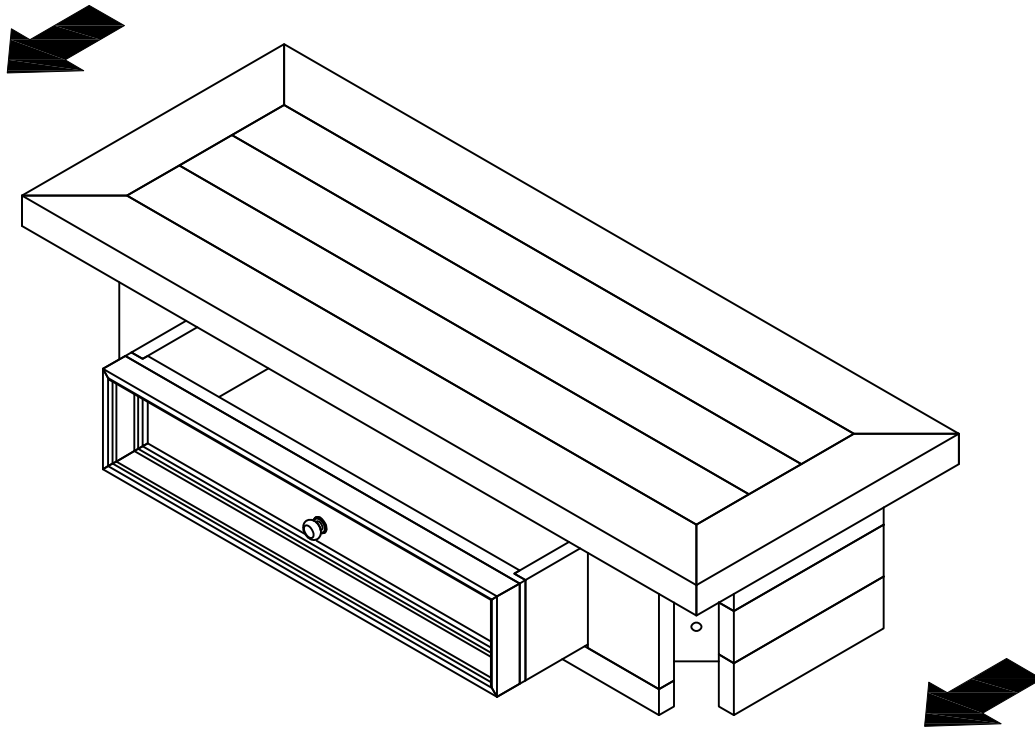






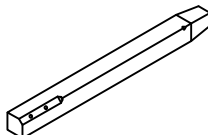
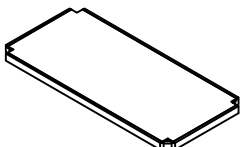
Thank you for purchasing this quality product. Be sure to check all packing material carefully for small parts that may have come loose inside the carton during shipment.



HARDWARE LIST

NO	DESCRIPTION		QTY
A		BOLT M8 X 60	12
B		SPRING WASHER M8	12
C		WASHER M8	12
D		13mm HEX WRENCH	1

PARTS LIST

NO	DESCRIPTION		QTY
1		TABLE TOP	1
2		LEGS	4
3		SHELF	1

Thank you for purchasing this quality product. Be sure to check all packing material carefully for small parts that may have come loose inside the carton during shipment.

STEP 1

Assemble part (1) & (2)



A:8



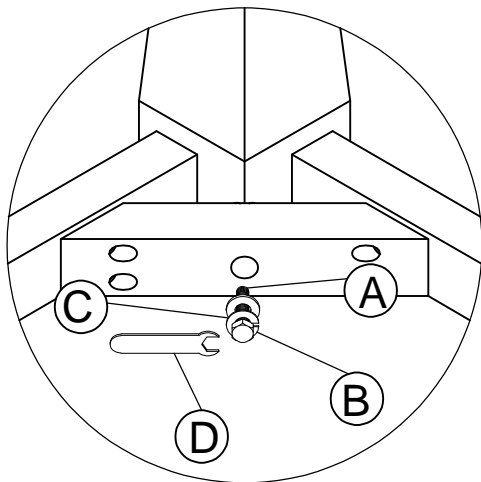
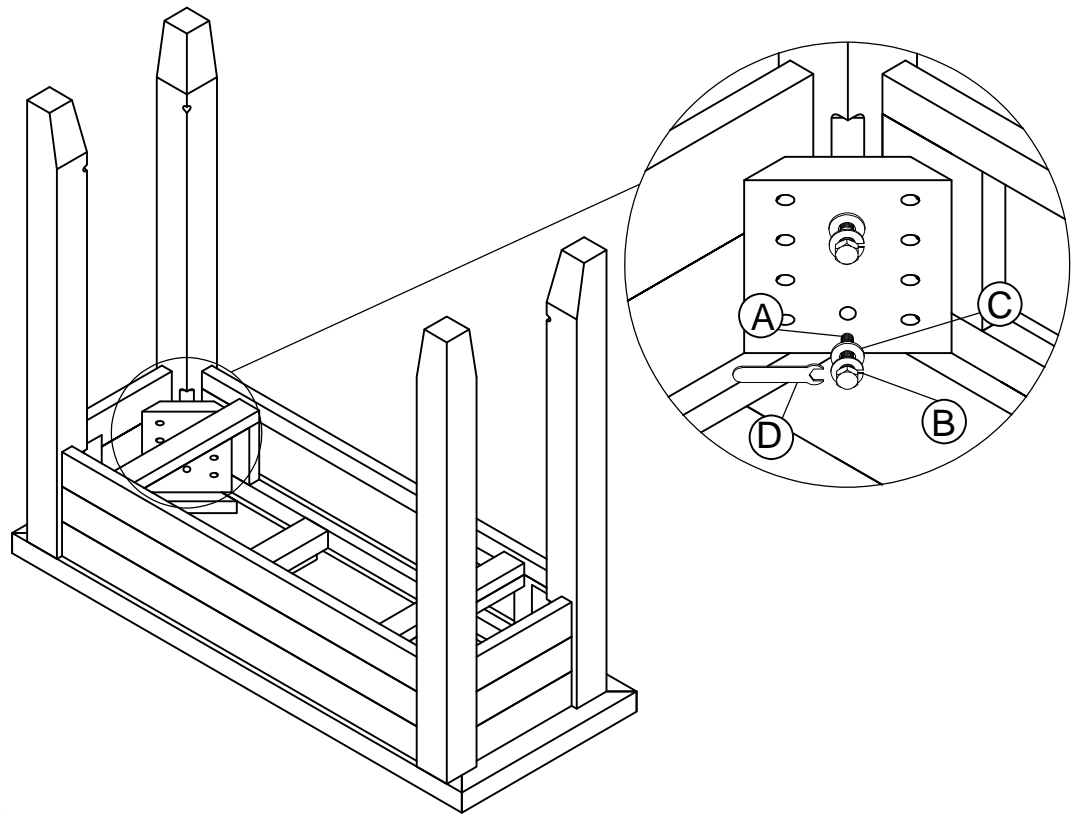
B:8



C:8



D:1



STEP 2

Assemble part (3)



A:4



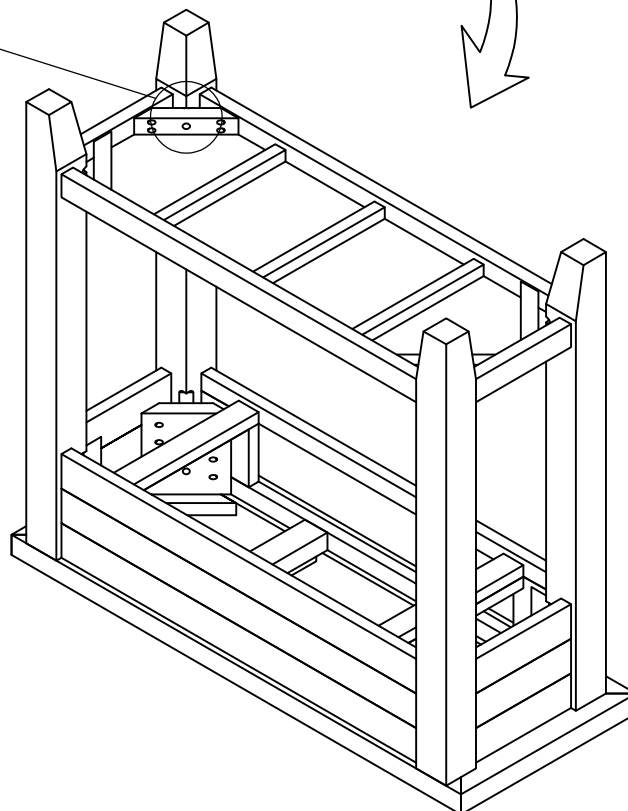
B:4



C:4



D:1



Thank you for purchasing this quality product. Be sure to check all packing material carefully for small parts that may have come loose inside the carton during shipment.

