










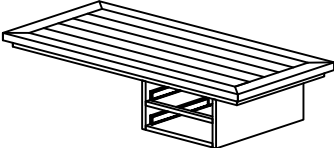
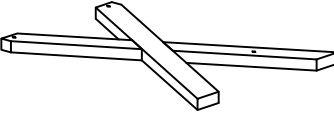
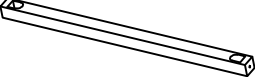
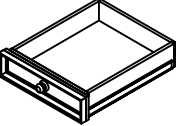
Thank you for purchasing this quality product. Be sure to check all packing material carefully for small parts that may have come loose inside the carton during shipment.



HARDWARE LIST

NO	DESCRIPTION	QTY
A	 BOLT M10 x 100	4
B	 SPRING WASHER M10	4
C	 WASHER M10	4
D	 NUT M10	4
E	 17mm HEX WRENCH	1
F	 BOLT M8 x 80	2
G	 SPRING WASHER M8	2
H	 WASHER M8	2
I	 ALLEN KEY M4	1

PARTS LIST

NO	DESCRIPTION	QTY
1	 TABLE TOP	1
2	 LEGS	2
3	 CENTER RAIL	1
4	 DRAWER	2

Thank you for purchasing this quality product. Be sure to check all packing material carefully for small parts that may have come loose inside the carton during shipment.

STEP 1

Assemble part (1)&(2)



A:4



B:4



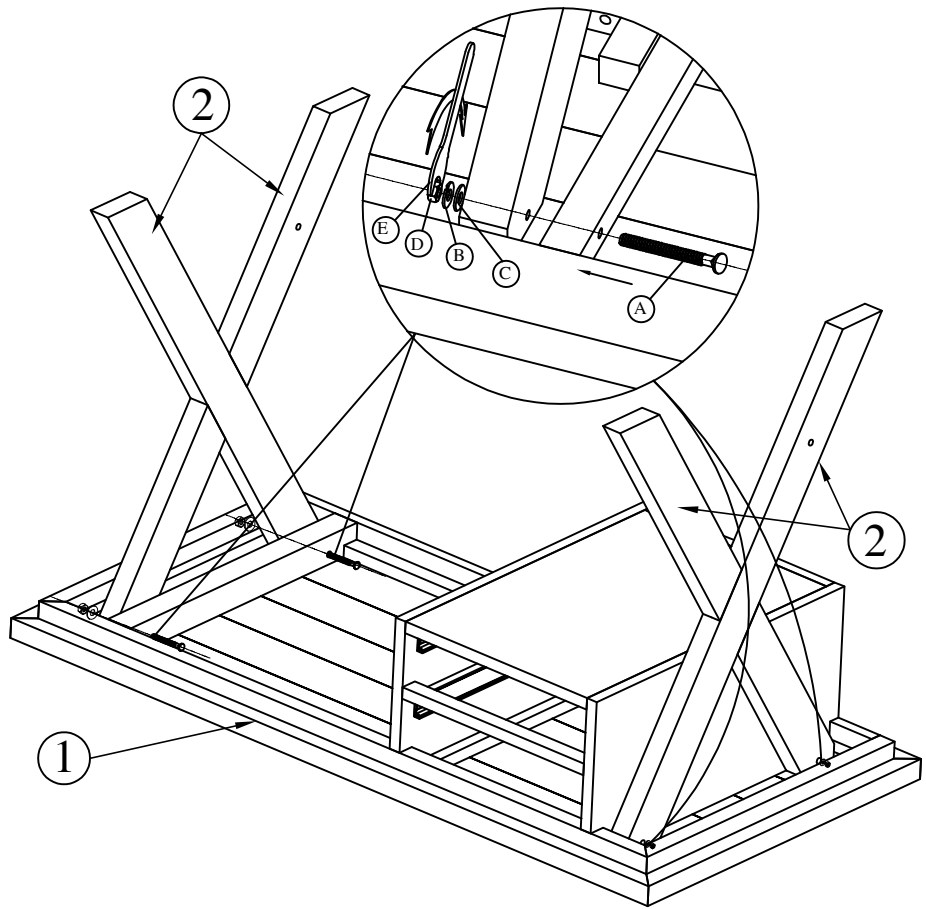
C:4



D:4



E:1



STEP 2

Assemble part (3)



F:2



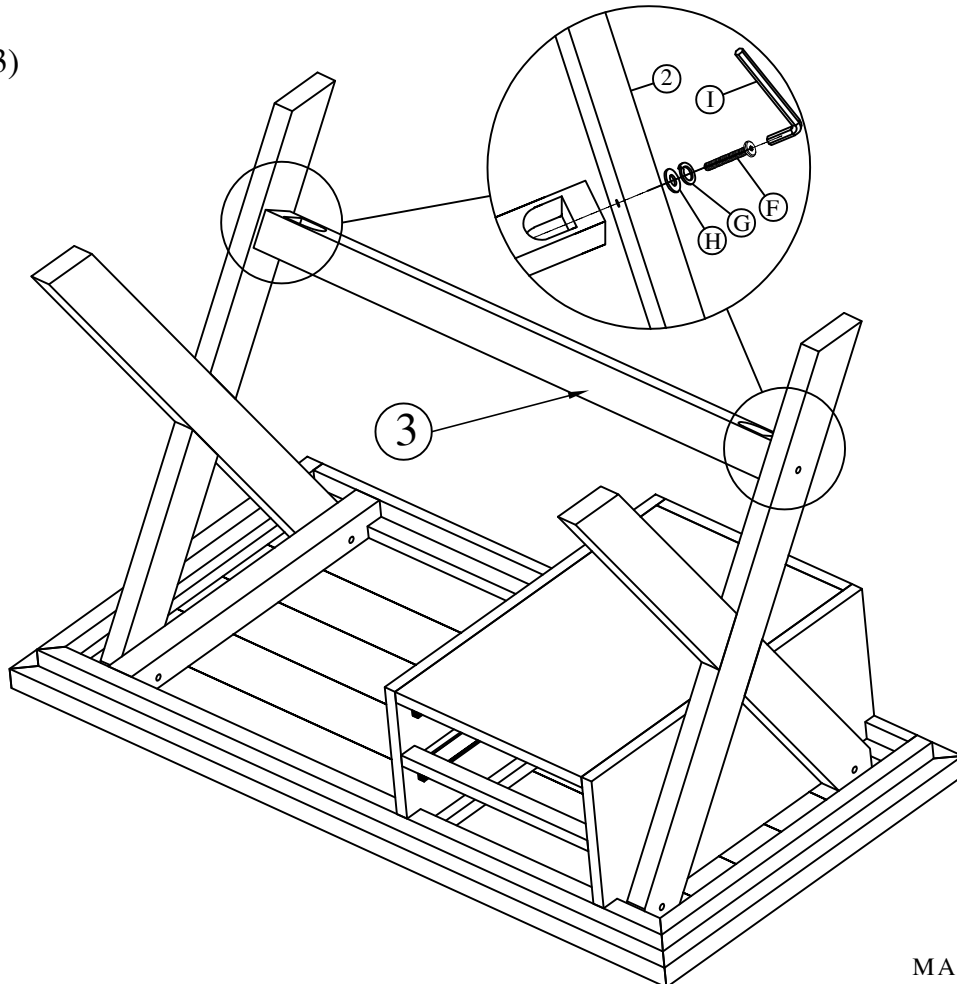
G:2



H:2



I:1



Thank you for purchasing this quality product. Be sure to check all packing material carefully for small parts that may have come loose inside the carton during shipment.

STEP 3

Assemble part (4)

