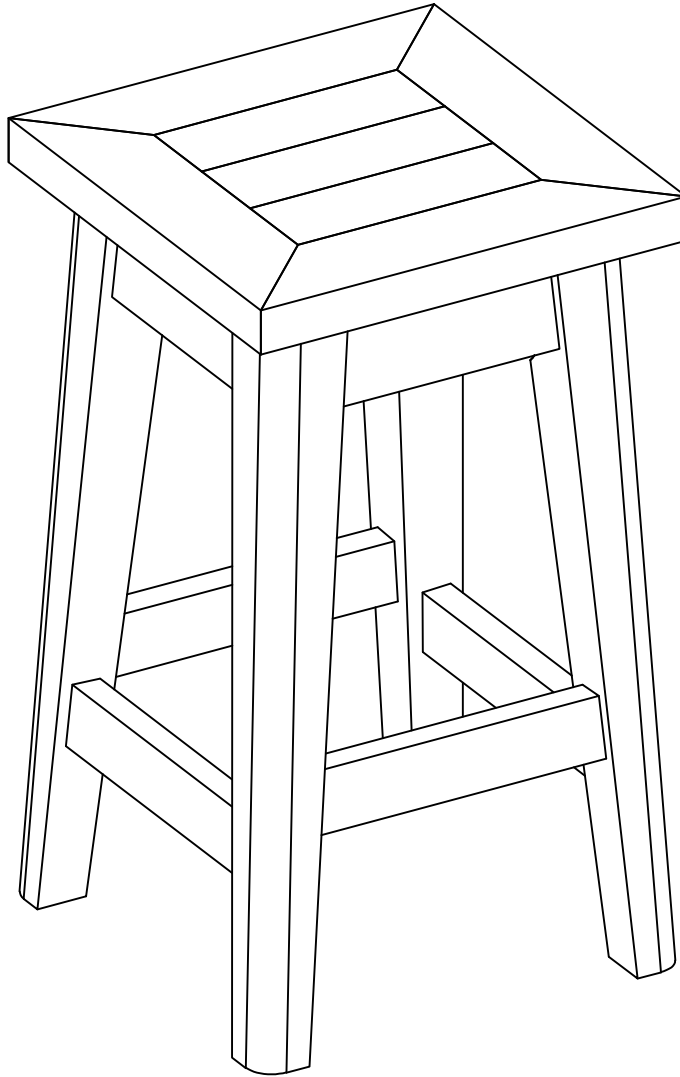







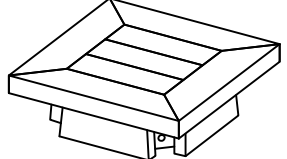
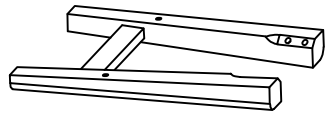

Thank you for purchasing this quality product. Be sure to check all packing material carefully for small parts that may have come loose inside the carton during shipment.



### HARDWARE LIST

NO	DESCRIPTION		QTY
A		BOLT M8 X 60	8
B		WASHER M8	8
C		13mm HEX WRENCH	1
D		SCREW M4 X 40	4
E		SPRING WASHER	8

### PARTS LIST

NO	DESCRIPTION		QTY
1		TABLE TOP	1
2		LEGS	2
3		SIDE RAIL	2

Thank you for purchasing this quality product. Be sure to check all packing material carefully for small parts that may have come loose inside the carton during shipment.

### STEP 1

Assemble part (1) & (2)



A:8



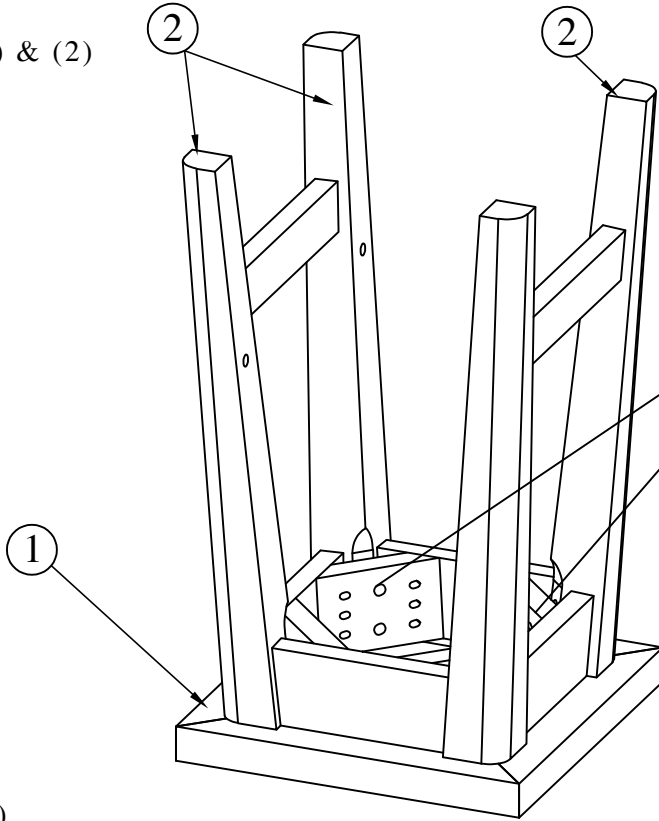
B:8



C:1



E:8



### STEP 2

Assemble part (3)



D:4

